

SHAFTLINE

Waste and laundry chute system

Time and hygiene
for care work

SHAFTLINE

Waste and laundry chute system

- Fast waste and laundry removal
 - Saves floor space at floor levels
 - Economic and hygienic solution for modern care center, hospital and residential towers
-

ECOSIR
GROUP



SHAFTLINE

Semi-automatic waste
and laundry chute system

ECOSIR
GROUP

Just
Drop & Go!



Picture: Drop&Go inlets with user control panels



SHAFTLINE System illustration

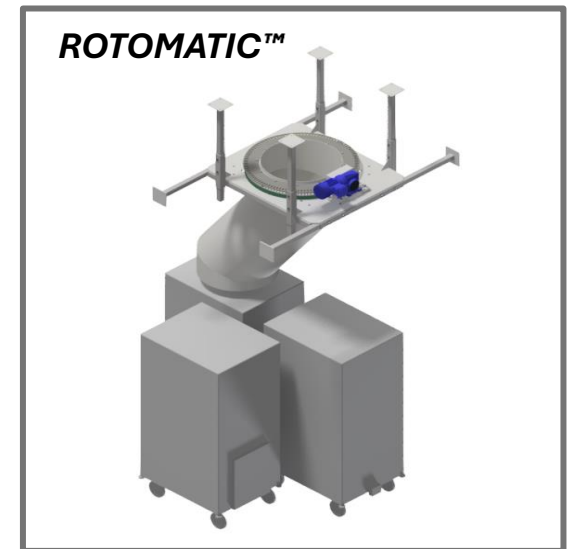
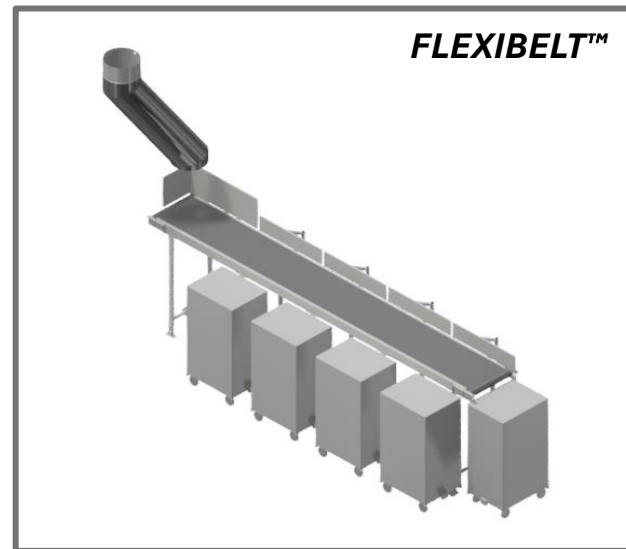
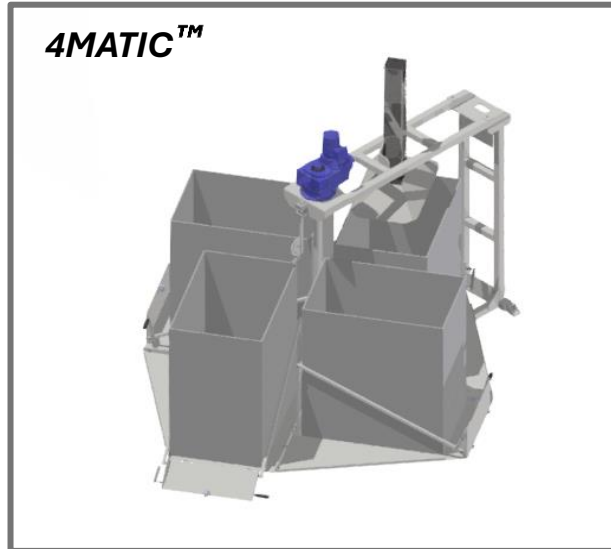


Picture: Drop&Go inlets with user control panels (LED button and info panel)

- *Drop&Go-* inlets (SS304)
- Control user panel (LED buttons, info panels, touch screens, RFID..)
- Sealed smooth chute piping with fixing frames
- Chute discharge end part
- Control wiring
- Control unit
- Program

Picture: SHAFTLINE with waste and laundry discharge options

Discharge options



- 4MATIC™** carousel system
- Four (4) bin capacity (660ltr or 1100ltr)
 - Automatic bin selection
 - Bin loading level control
 - Press system option
 - Full bin level Remote bin change request output

- FLEXIBELT™** transfer belt discharge system
- Several discharge points
 - Automatic discharge into trolley/bin
 - Trolley/bin loading level control

- ROTOMATIC™ 360** motorized discharge unit
- For bins and laundry trolleys
 - Automatic bin selection
 - Trolley/bin loading level control
 - Remote bin change request output

Technical data and options

SYSTEM MAIN PARTS	Standard	Option *)
Inlet, side hinged, self closing , size 500x750mm *), material SS304, fire proof EI60	•	–
Inlet user control panel –LED indicators	•	–
Chute pipe, D500mm modules, material SS304. fixing frames for each floor connetion included	•	–
Chute top cap, material SS304	•	–
System Internal contol wiring inside protective shield	•	–
Interlocking, electric locking inlet , one inlet can be opened at same time	•	–
Chute discharge curve, SS340, s=min 2mm	•	–
Control cabin for SHAFTLINE	•	–
System program for SHAFTLINE	•	–
Optional features		
User panel and message display (touch screen 4", 5", 8" and 10") for inlets	–	•
Waste and laundry bags discharge system with control system (see list below):	–	•
4MATIC Carousel system for 660ltr or 1100ltr four wheel bins with bin level sensor control	–	•
ROTOMATIC Motorized rotating discharge end part from 2-4 discharge points with loading level sensor	–	•
FLEXIBELT Discharge belt system from 3-10 discharge points with loading level sensor	–	•
Disinfection and motorized chute inside cleaning brush system	–	•
* Chute D600mm and other Drop&Go inlet sizes available		

Overview of the company



- Ecosir Group Ltd designs, manufactures and delivers its own designed systems – export over 65% and growing
- The company provides comprehensive online after sales services through own organization and international partner companies
- Over 30 years history, over 140 large-scale waste pipeline systems and around 800 smaller vacuum systems.
- Ecosir Group has headquartered in Espoo, Finland. The company employs over 200 persons through its global network in EU, Asia, China and Middle East
- International market is covered by 14 local certified Official Partner companies





www.ecosir.com